

Ardrich HAND DRYERS

INSTALLATION GUIDE

A266SS A266W VELOCITY

AUTOMATIC – No. HD15105, HD15106



Caution

- *Improper or substandard installation and repairs may result in safety hazards and/or property damage.*
- *Do not insert objects up into the air outlet; doing so can be hazardous and may result in an electric shock.*
- *Do not splash the dryer with water or other liquids.*
- *Do not cover the dryer or obstruct the air inlets or outlets.*
- *This appliance is not intended for use by persons (including children) with reduced physical, sensory or mental capabilities, or lack of experience or knowledge, unless they have been given supervision or instruction concerning use of the appliance by a person responsible for their safety.*
- *Children should be supervised to ensure that they do not play with the appliance.*

1. Choosing the best site

Install hand dryers adjacent to wash basins, out of the way of storage cabinets or other objects to optimise access and movement around the dryer. In congested areas, position dryers to ensure good traffic flow between washbasins and dryers. If more than one is used, dryers should be placed at least 600 mm apart.

Required Clearances

From dryer to sides walls -	Minimum of 200 mm
To ceiling or shelf above -	Minimum of 200 mm
To basin, floor or any surface below -	Minimum of 500 mm

Electrical

This dryer is intended for connection to fixed wiring but it may be used with a supply cord/plug assembly if supplied. All wiring related switches and circuit protection must be installed in accordance with local electrical wiring regulations and codes. If the supply cord is damaged, it must be replaced by the manufacturer, its service agent or similarly qualified persons in order to avoid a hazard.

2. Remove cover housing

Remove the dryer from the carton and the two fixing screws at each side of the dryer cover.

Caution. Carefully disconnect the switch wire loom from the control board beneath the motor.

3. Mounting Template - Spacing and height

Mount two or more dryers 600 mm apart, centre to centre.

Recommended Mounting Height (Floor to bottom of dryer)

Men.....	1180 mm
Women.....	1130 mm
Children, ages 3-7.....	820 mm
Children, ages 8-10.....	920 mm
Children, ages 11-13.....	1020 mm
Children, ages 14-17.....	1130 mm
Disabled mounting height.....	1000 mm

Avoid mounting above washbasins or bench tops.

4. Fixing the dryer to the wall

Attach the dryer to the wall using the appropriate fastener.

The wall should be reasonably flat.

Use washer(s) to fill gaps.

Wall types:

- Brick/Concrete – Use 6 mm x 40 mm
 - Stud/Drywall – Use 6mm x 40 mm screws.
- Use 6 mm toggle bolts for dry-wall plaster wall.

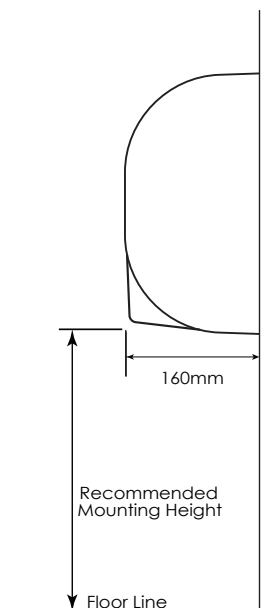
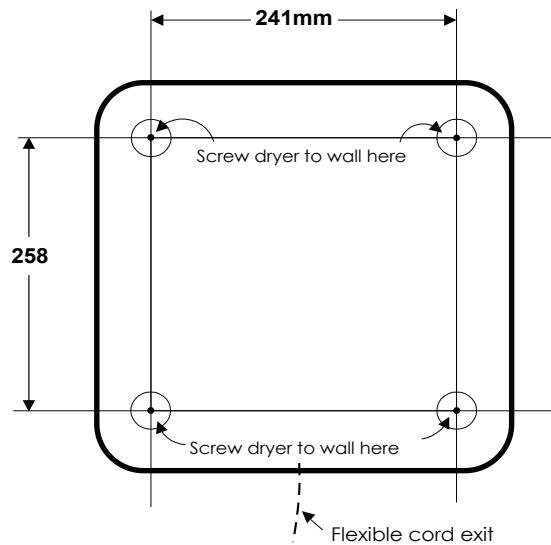


Diagram 1



5. Wiring

Fixed wiring installation should be carried out by a qualified person. Power requirements are - 220 -240 Volt AC 50 Hz (1.4kW). Connect fixed wiring to the terminals marked L and N and ground. This dryer is a Class I appliance and requires an electrical earth (ground). Suitable fixed wire conductor size - 1.0-2.5 mm².

6. Refitting the cover

When the wiring connection is completed, move the cover into position and secure it with the two side fixing screws. The dryer is now ready for use.

7. Testing and Operation

Turn power on. The dryer will commence immediately hands are placed under the dryer.

Regular Operation – The dryer blower will run while hands are placed under the dryer and will stop when hands are removed.

8. Dry Your Hands Fast

Shake excess water from hands to speed drying. Place hands beneath the air outlet. Rub and rotate hands in the hot air stream and continue drying until there is no moisture left on hands.

9. Maintenance of your dryer

Clean the exterior cover enclosure using non-abrasive detergents and a soft cotton cloth. Check the carbon brushes every three years.

NEW ZEALAND
 ARDRICH LIMITED
 P + 64 9 570 2861
 F + 64 9 570 2864
 E info@ardrich.net

AUSTRALIA
 ARDRICH HYGIENE PTY LIMITED
 P 1 800 058 655
 E info@ardrich.com.au

SOUTH AFRICA
 SERVEST HYGIENE
 P + 27 11 608 1888
 E connect@servest.co.za