

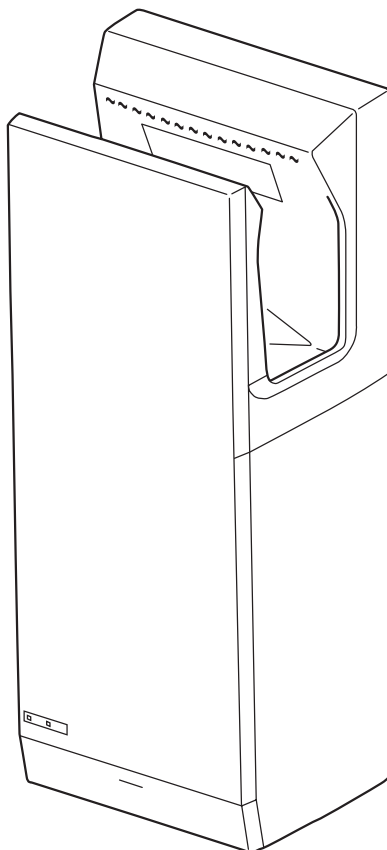
# ***Ardrich* HAND DRYERS**

## User Manual



**DUALDRI™**

### **MODEL A266DD-(W or S)** **AUTOMATIC DUAL JET HAND DRYER**



**WARNING**      personal injury accidents will happen if use improperly



Prohibited

- Do not open the front panel otherwise...you may get an electric shock.
- Children should not play on the machine.



Do not use in wet places

- Do not use in a wet environment which is subject to sprayed water and the places where the condensation may form. This may cause electric shock and dryer malfunction.
- Do not allow the unit get wet....you may get an electric shock.
- Do not modify and disassemble the dryer unnecessarily. This may cause a fire, electric shock or personal injury.



Do not allow the dryer to get wet

- Rated power is required.
- If power tolerance is over +/-10%, there may be breakdown. If using incorrect power supply, fire, electric shock and machine malfunction may happen.



Do not disassemble

- Please use dedicated power outlet. If using together with other appliances, the outlet may cause abnormal heat, leading to fire.
- Power must be cut off when maintenance to prevent the risk of electric shock.
- Drain tank and air filter must be installed.



Please comply with instructions

- If the machine doesn't work or has been subjected to abnormal conditions, cut off the power to prevent accidents. Ask supplier to check and repair.
- The dryer must have a reliable grounding wire to prevent electric shock.



Ground

- This appliance is not intended for use by persons (including children) with reduced physical, sensory or mental capabilities, or lack of experience and knowledge, unless they have been given supervision or instruction concerning use of the appliance by a person responsible for their safety. If the cord is damaged, it must be replaced by the manufacturer, its service agent or similarly qualified persons in order to avoid a hazard.



WARNING

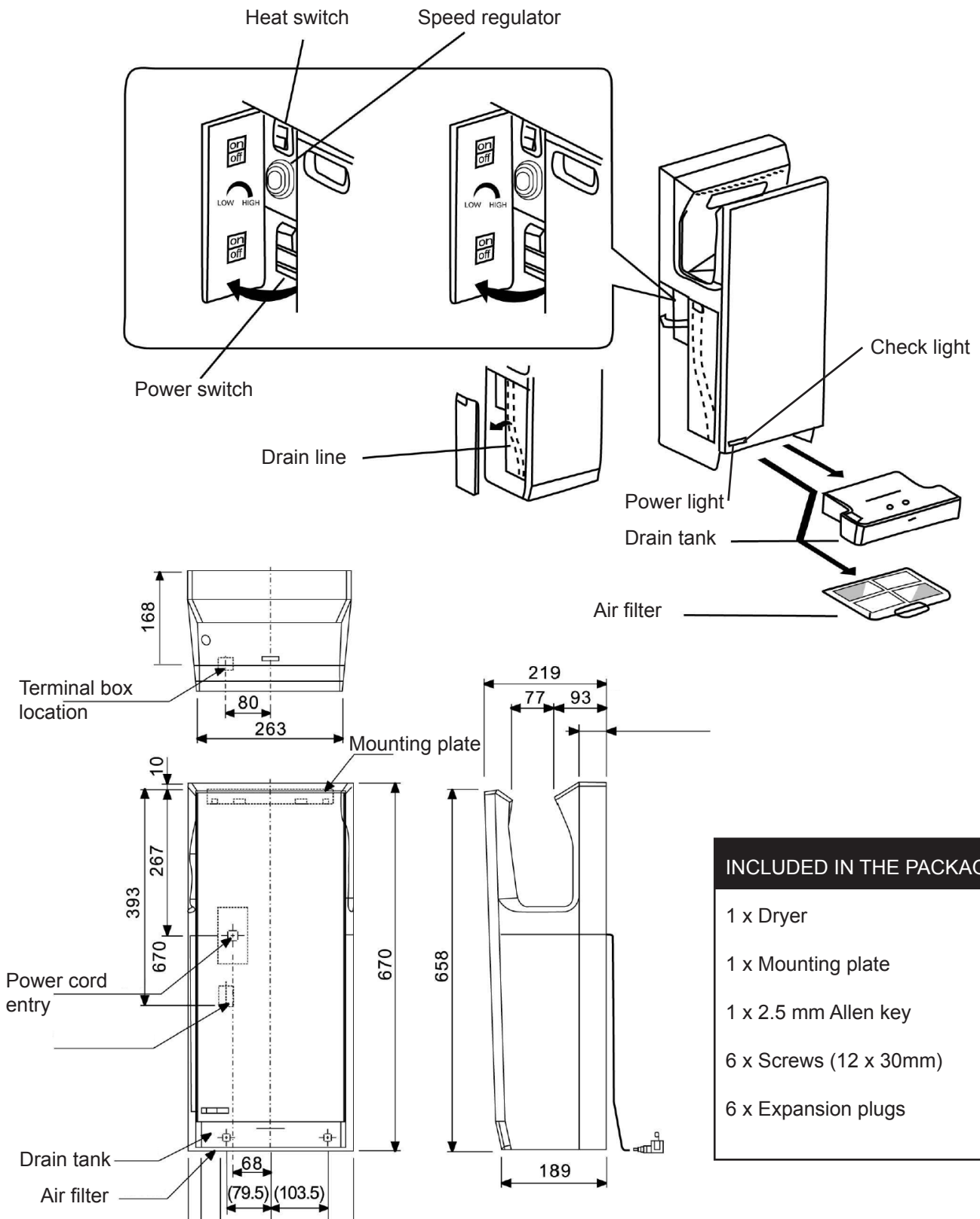
- For additional protection, the installation of a residual current device (RCD) having a rated residual operating current not exceeding 30mA is advisable in the electrical circuit supplying the bathroom. Ask your installer for advice.

- Install hand dryers adjacent to wash-basins, out of the way of storage cabinets or other objects to optimise access and movement around the dryer. In congested areas, position dryers to ensure good traffic flow between wash-basins and dryers. If more than one is used, dryers should be placed at least 600 mm apart.

Required Clearances

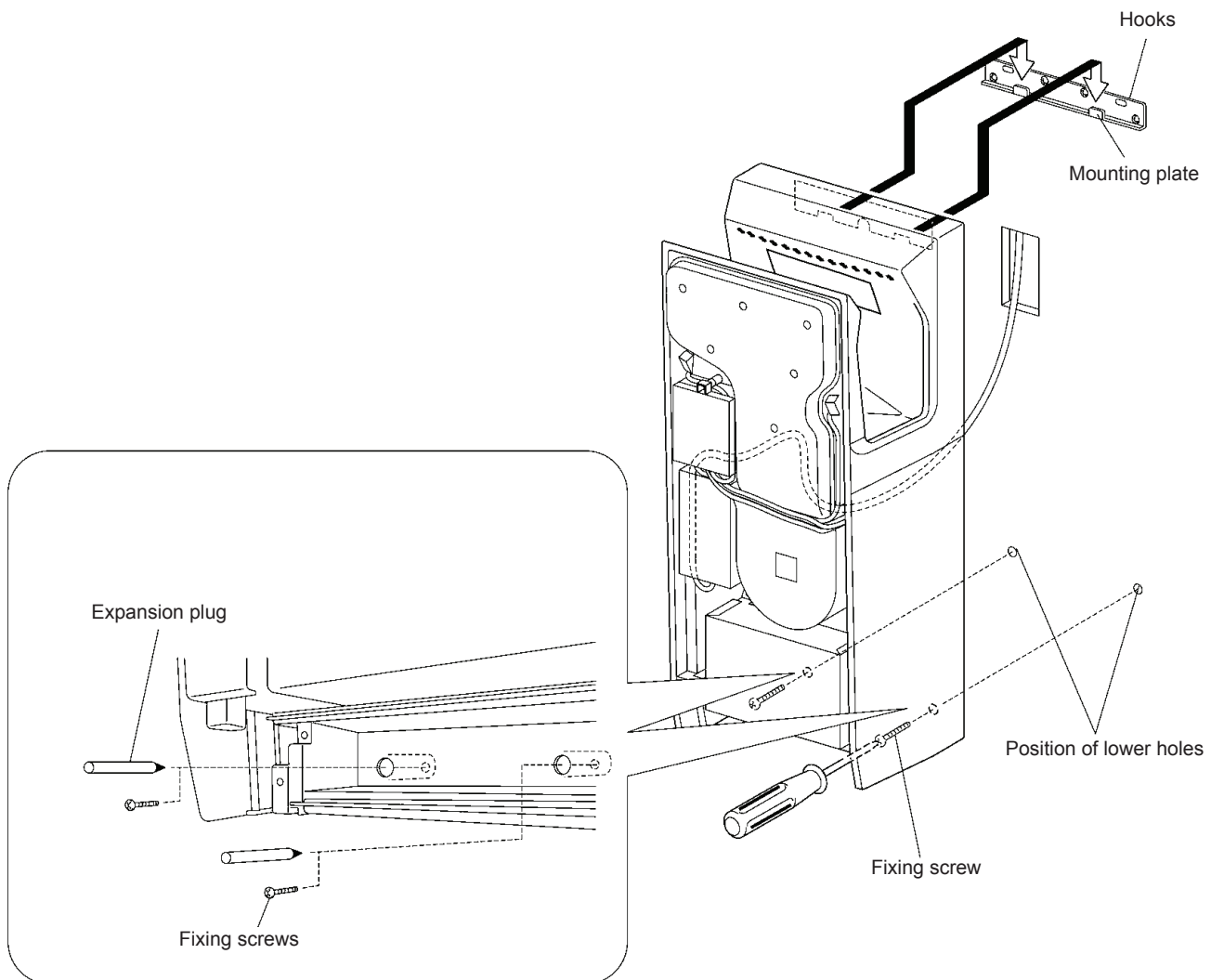
- |                                      |                   |
|--------------------------------------|-------------------|
| From dryer to sides walls -          | Minimum of 200 mm |
| To ceiling or shelf above -          | Minimum of 200 mm |
| From the dryer bottom to the floor - | Minimum of 150 mm |

# Parts names and Dimensions



# Precautions before installing

- Do not install in the following types of location, otherwise this may cause malfunction:
  - Locations where the temperature can exceed  $-10^{\circ}\text{C}$  or  $40^{\circ}\text{C}$ .
  - Locations where the dryer may come into direct contact with water.
  - Locations where the dryer is under direct or strong sunlight
  - Locations where there is a lot of condensation.
  - Locations where corrosive, neutral, or reductive gases are present.
  - Places lower than - 20m or higher than 2000m above sea level
  
- Installation location
  - Install somewhere the dryer will be easy to access.
  - Do not install the dryer too low. The bottom of the dryer must be at least 150 mm higher than the floor.
  - The either side of the dryer must be at least 200 mm away from any walls.
  - Avoid locations where people or doors might bump into the dryer.
  - Choose a completely flat surface on the wall to install the dryer.

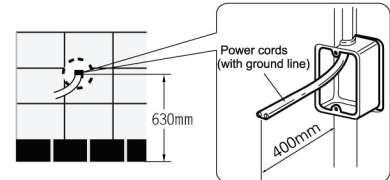


# Installation

- Fixed wiring installation should be carried out by a qualified person. Power requirements are - 220 -240 Volt AC 50 Hz (1.4kW). Connect fixed wiring to the terminals marked L and N and ground. This dryer is a Class I appliance and requires an electrical earth (ground). Suitable fixed wire conductor size - 1.0 - 2.5 mm<sup>2</sup>
- A drop in voltage is possible if the power cord exceeds 11 m in length, so we recommend using a 2mm<sup>2</sup> cord.

## 1 Fixed wiring

For fixed wiring the wire should emerge from the wall at 630mm from the floor 80 mm from left side of the dryer. Fixed wire emerging from the wall should be not less than 400mm long.



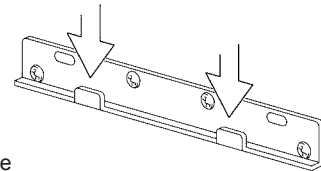
## 2 Attach the mounting plate to the wall

Attach the dryer to the wall using the appropriate fastener. The wall should be reasonably flat. Use washer(s) to fill gaps. Wall types:

- Brick/Concrete – Use 6 mm x 40 mm
- Stud/Drywall – Use 6mm x 40 mm screws. Use 6 mm toggle bolts for dry-wall plaster wall.

Mounting plate height -

For the standard dryer height - 890mm (floor to the bottom of the mounting plate)



## 3

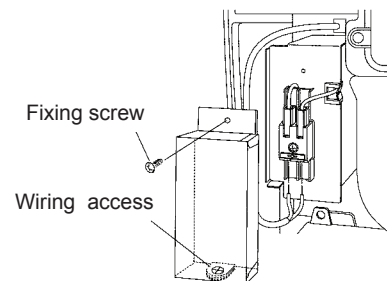
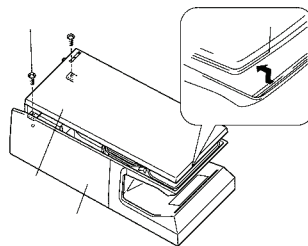
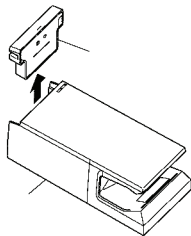
1. Remove the drain tank.

2. Remove the front panel.

Remove the two screws.

3. For fixed wiring - remove the terminal box cover.

Remove the terminal box cover screw and remove the cover. Remove the flexible power cord.

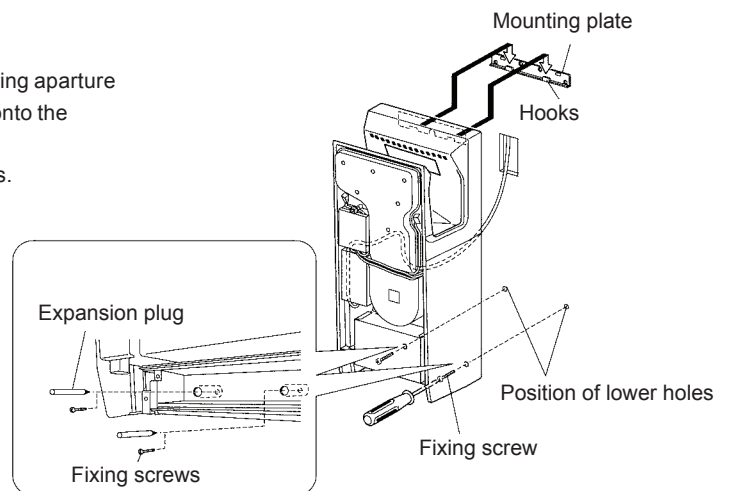


## 4

Attach the dryer to the mounting plate.

If fixed wiring is used pull the fixed wire through the wiring aperture from the rear of the dryer, then attach/hook the dryer onto the mounting plate.

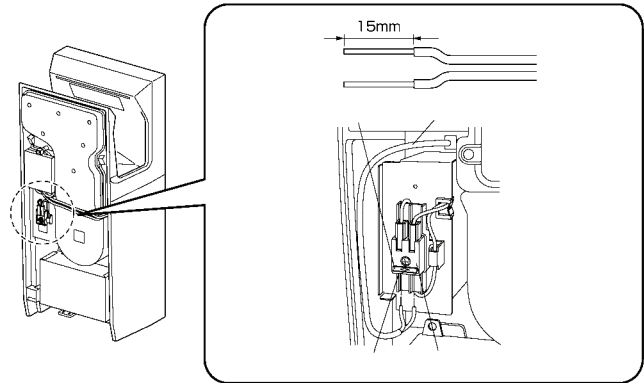
Secure the dryer to the wall with the two bottom screws.



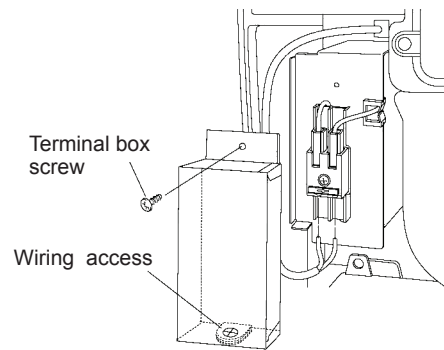
# Installation and Testing

---

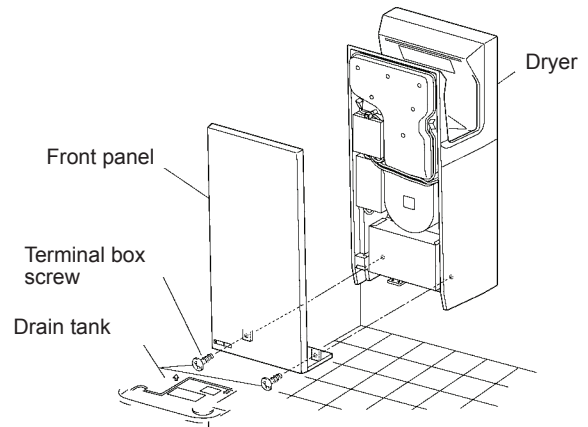
## 5 Fixed wiring - Wire the terminal box



## 6 Re-attach the terminal box cover. Make sure the wires are not pinched.



## 7 Re -attach the front panel. Put the cover into position and fit the two screws. Attach the drain tank. Make sure the air filter is all the way in.



## Using the dryer

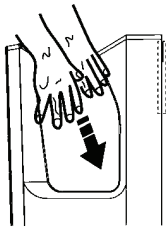
---

### ■ Turn on the power switch.

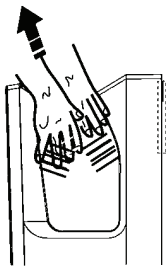
The power indicator lights up.

The blue lamp lights up in the drying cavity.

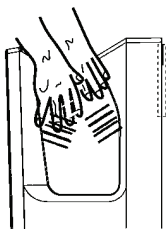
### ■ Using the Unit



- Stretch out both hands and move them slowly into the dryer. The dryer will start automatically.



- Pull them out slowly, letting the air blow the water off.



- Pull them out completely.
- Repeat if required.

### ■ Check Light Indicator

When a malfunction or error occurs, the check light will either light up or flash (lower left front panel, right side).

Turn off the power switch, wait about 40 seconds until all the indicators go off, then turn on the power switch.

If the indicator still lights up or flashes, turn off the power, disconnect the dryer from the power and contact your dealer. If the check light remains off, the dryer is ready to use.

# Routine Cleaning

## Cleaning the dryer exterior

- Clean the dryer with a soft cloth. If the unit gets very dirty, clean with a soft cloth dampened with neutral agent, then clean with a dry soft cloth.
- Remove the dirt from the sensor to prevent malfunction.



Note

- Only use the neutral cleaning agents.
- Do not use thinners, acidic or alkaline toilet cleaners
- Do not use a abrasive cleaners.
- Alcohol may be used to clean the hand drying cavity area. Do not use alcohol anywhere else. Alcohol is intended for disinfection (concentration below 83%).



### WARNING



- Before you clean the dryer turn off the power switch.
- Do not splash water on the dryer.



### Caution

- Wear gloves when cleaning.

- The antibacterial coating is effective when bacteria is exposed the coated surfaces
- The antibacterial coating becomes ineffective when surfaces get dirty.

## Draining and cleaning the tank

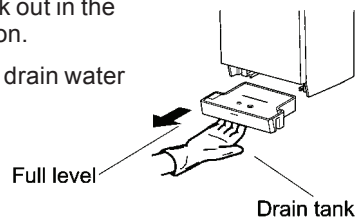
Frequency - weekly

- The water blown off hands is called - drain water.
- Empty the drain water at any time, to prevent accumulated water from overflowing.
- Accumulated water may smell if left too long in the tank.

**1**

Pull the drain tank out in the horizontal direction.

This ensures the drain water does not spill.



**2**

Open the tank cover and empty the water.

Pull the cover up with your fingers in the direction of the arrow on the top of the cover and then remove the cover completely.

**3**

Wash out the interior of the drain tank.

Close the tank cover and slide the drain tank back into the dryer.



Note

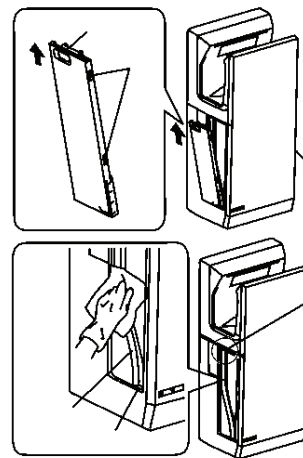
If you wash the air filter with water ensure it is dry before refitting.

## Cleaning the air filter

Frequency - Generally required weekly

**1**

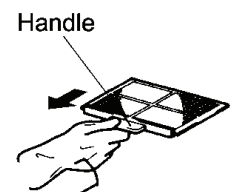
Open the side panel with the allen key, Use a cloth to regularly wipe and clean drainage routes.



**2**

Remove the air filter

Pull the air filter out by the handle.



**3**

Cleaning the air filter

Beat lightly by hand or use a vacuum cleaner. If very dirty wash with warm water. Place back into the dryer.

